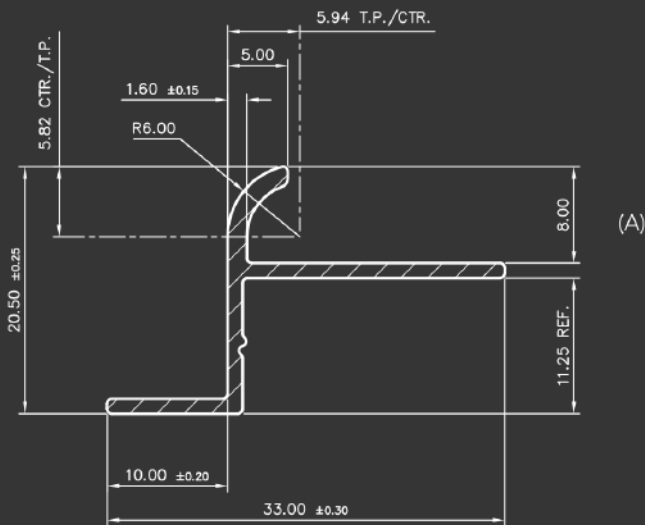


ROUND SERIES - Shadowline Trim - 8mm

METRIM is an Australian Made Aluminium Tile Trim designed to provide a contemporary solution to finishing tiling around doors and windows returns in lieu of timber architraves.

- Eliminates timber architraves
- Delivers an **elegant** finish & **smooth** transition from door to wall
- Made from **responsibly sourced aluminium**
- Seamless finish - **no silicone required**, no more uneven rough lines and grout cracks joints
- Minimise trades and **speeds up installation** as it requires only a tiler or carpenter to install
- **Modern** and **sophisticated** look characterised by a distinctive shadow line look
- Proudly **Australian Made Sustainable Products**



Australian Patent No: 2019903246

CHEMICAL COMPOSITION

Weight %	Si	Fe	Cu	Mn	Mg	Cr	Zr	Others	
								Each	Total
Min.	0.30	0.10			0.35				
Max.	0.60	0.60	0.10	0.10	0.6	0.05	0.10	0.50	0.15

MECHANICAL PROPERTIES GUARANTEED (AAC SPECIFICATION)

Temper	Form of Produced	Thickness mm	U.T.S. (MPa)	0.2% Proof Stress	Elongation % 50mm
O	E, DT	All	130 Max.		16
F	E	No specified Properties			
T1	E	Up to 25	115	60	12
T5	E	Up to 25	150	110	8
T591	E	Up to 25	150-205	95-140	8
T595	E	Up to 25	170.22	130-160	5
T81	DT	All	225	205	8
T891	DT	All	180	150	8

See colour brochure for our full range of options.

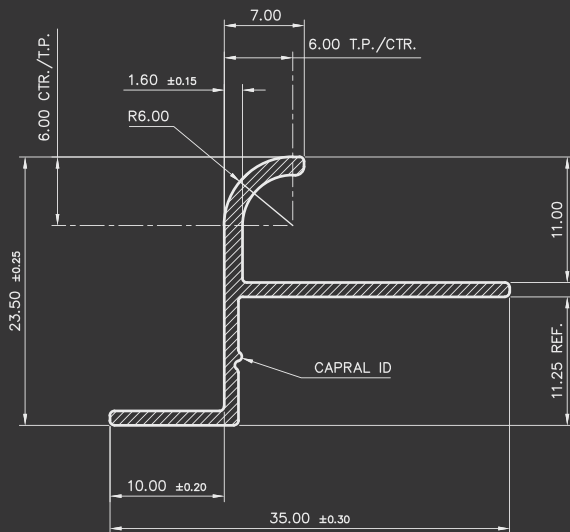
Note: All METRIM tile trims come in 3 meter lengths.



ROUND SERIES - Shadowline Trim - 11mm

METRIM is an Australian Made Aluminium Tile Trim designed to provide a contemporary solution to finishing tiling around doors and windows returns in lieu of timber architraves.

- Eliminates timber architraves
- Delivers an **elegant** finish & **smooth** transition from door to wall
- Made from **responsibly sourced aluminium**
- Seamless finish - **no silicone required**, no more uneven rough lines and grout cracks joints
- Minimise trades and **speeds up installation** as it requires only a tiler or carpenter to install
- **Modern** and **sophisticated** look characterised by a distinctive shadow line look
- Proudly **Australian Made Sustainable Products**



Australian Patent No: 2019903246

CHEMICAL COMPOSITION

Weight %	Si	Fe	Cu	Mn	Mg	Cr	Zr	Others	
								Each	Total
Min.	0.30	0.10			0.35				
Max.	0.60	0.60	0.10	0.10	0.6	0.05	0.10	0.50	0.15

See colour brochure for our full range of options.

Note: All METRIM tile trims come in 3 meter lengths.

MECHANICAL PROPERTIES GUARANTEED (AAC SPECIFICATION)

Temper	Form of Produced	Thickness mm	U.T.S. (MPa)	0.2% Proof Stress	Elongation % 50mm
O	E, DT	All	130 Max.		16
F	E	No specified Properties			
T1	E	Up to 25	115	60	12
T5	E	Up to 25	150	110	8
T591	E	Up to 25	150-205	95-140	8
T595	E	Up to 25	170.22	130-160	5
T81	DT	All	225	205	8
T891	DT	All	180	150	8



Sustainable products



All MeTrim products are designed and manufactured in Australia